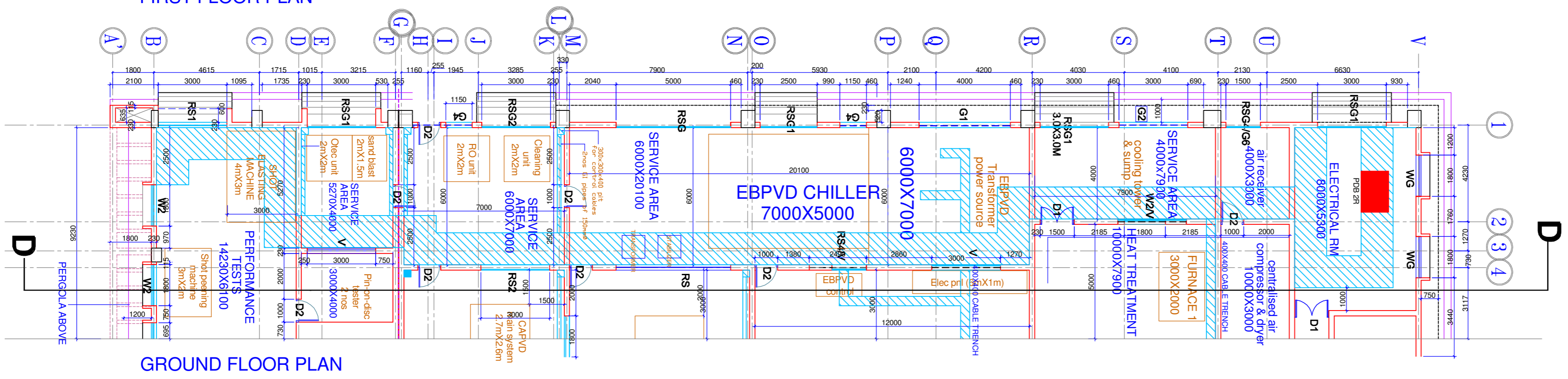
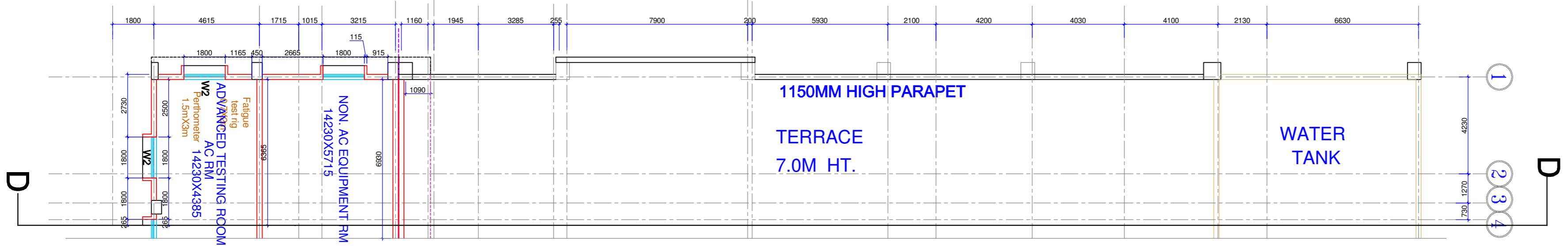
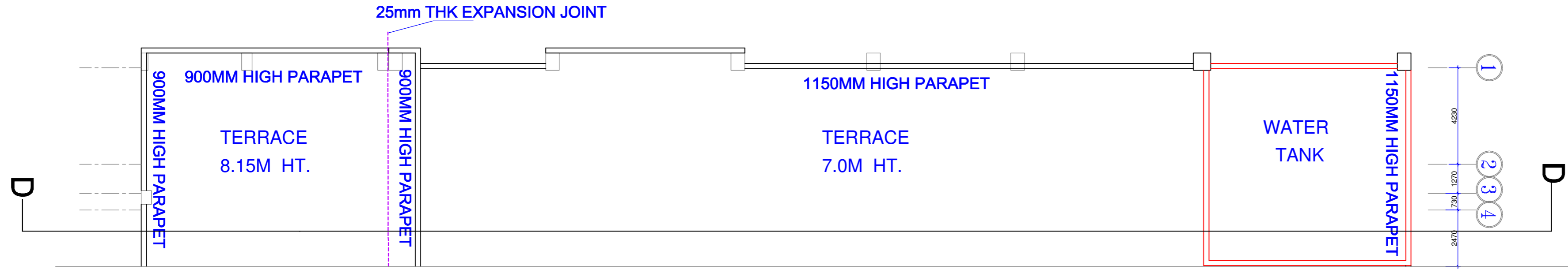
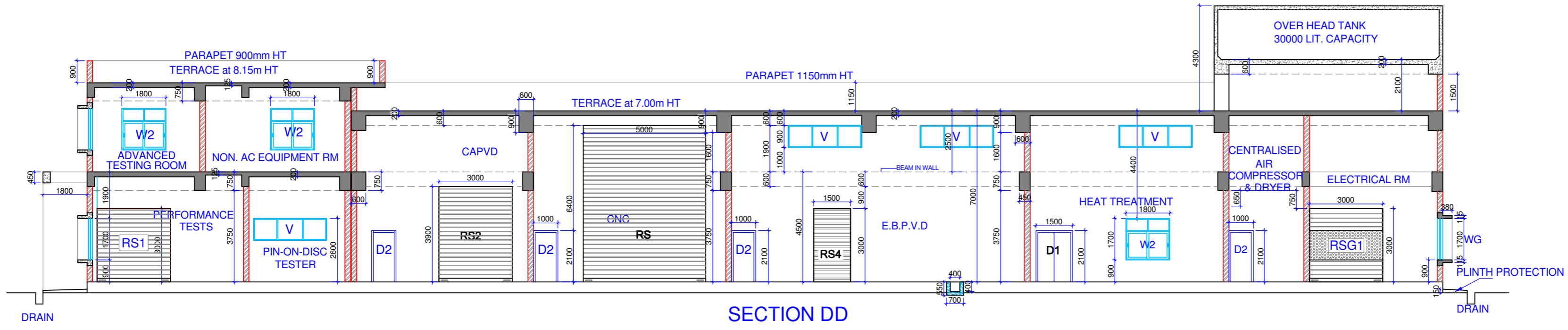


COPY RIGHT OF THIS DRAWING BELONGS TO
M/S S.S INFRASTRUCTURE PROJECT CONSULTANTS P.Ltd.
AND SHOULD NOT BE USED FOR ANY PURPOSE OTHER THAN SPECIFIED
WITHOUT PRIOR PERMISSION.

FOR TENDER ONLY



PROJECT :	PROPOSED BUILDING FOR CENTRE FOR ENGINEERED COATINGS A.R.C.I. BALAPUR.	
TITLE :	SECTION DD	
CLIENT :	A.R.C.I. BALAPUR.	
CONSULTANTS :	S.S.INFRASTRUCTURE PROJECT CONSULTANTS Pvt.Ltd. # 25 & 9 , JABBAR BUILDINGS, BEGUMPET, HYDERABAD-16 Ph : +91 40 66310954, 66310240 FAX No : +91 40 66312949 . email: ssipcp@gmail.com	
DATE :	02-06-14	SHEET NO:
DEALT BY :	M.GANESH	11 R2
ARCHITECT :	A.V.LAKSHMI	
CHECKED BY :	S.S.RAO	
DRG.NO : SSIPCP/ ARCI / CEC / SECTION DD / AD - 11		